

Royal Enfield

★ 'Made like a Gun' ★

MOTOR CYCLE SERVICE TOOLS MANUAL

THE
ENFIELD CYCLE COMPANY
LIMITED

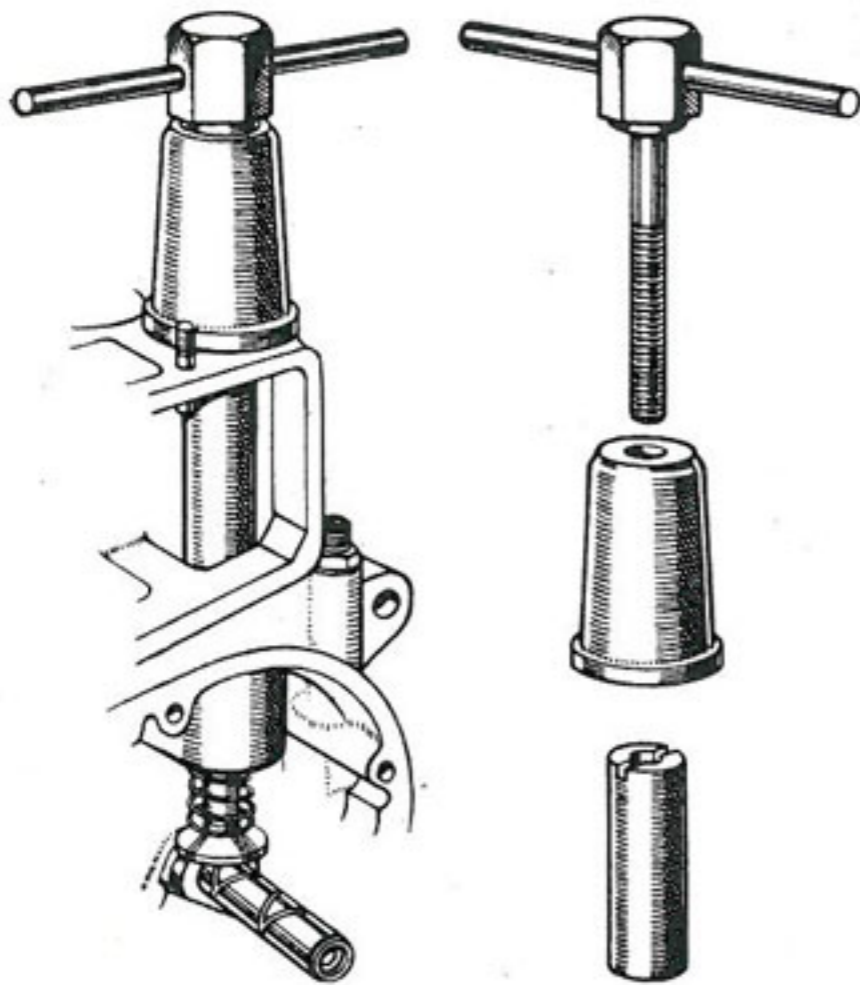
Head Office and Works:
REDDITCH, WORCESTERSHIRE

Telegrams:
"Cycles, Phone, Redditch"

Telephone:
Redditch 121 (8 lines)

ENGINE

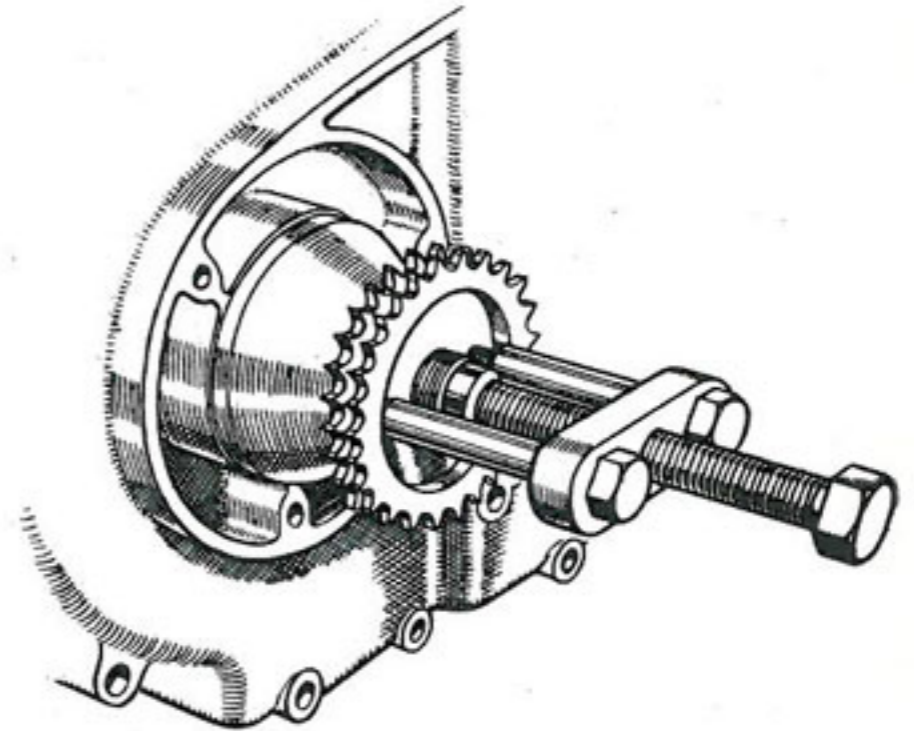
EXTRACTORS



E 5410

Tappet Guide Extractor

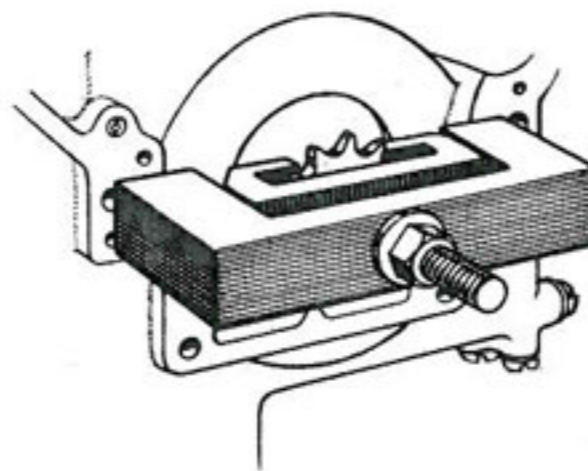
Models: 350 Bullet and 500 Bullet.



E 4814

Engine Sprocket Extractor

Models: 350 Bullet and 500 Bullet.



E 4869

Timing Sprocket Extractor

Model: 500 Twin.

E 5422

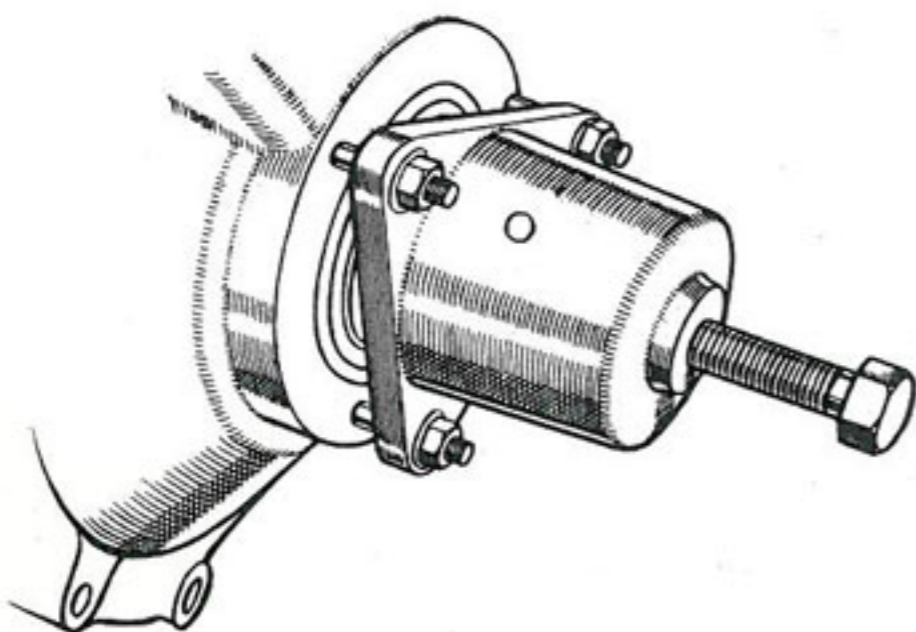
Engine Sprocket Extractor

Models: G. and J₂.

E 5124

Magneto Sprocket Extractor

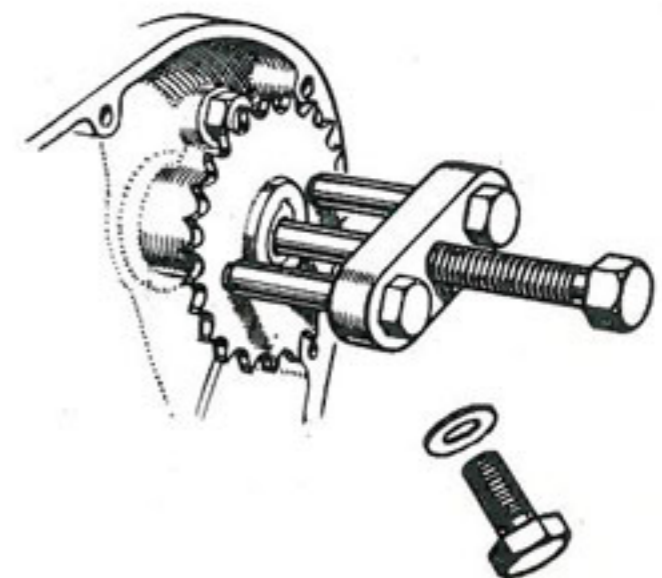
Models: 500 Twin and Meteor 700.



E 5121

Crankshaft Extractor

Models: 500 Twin and Meteor 700.

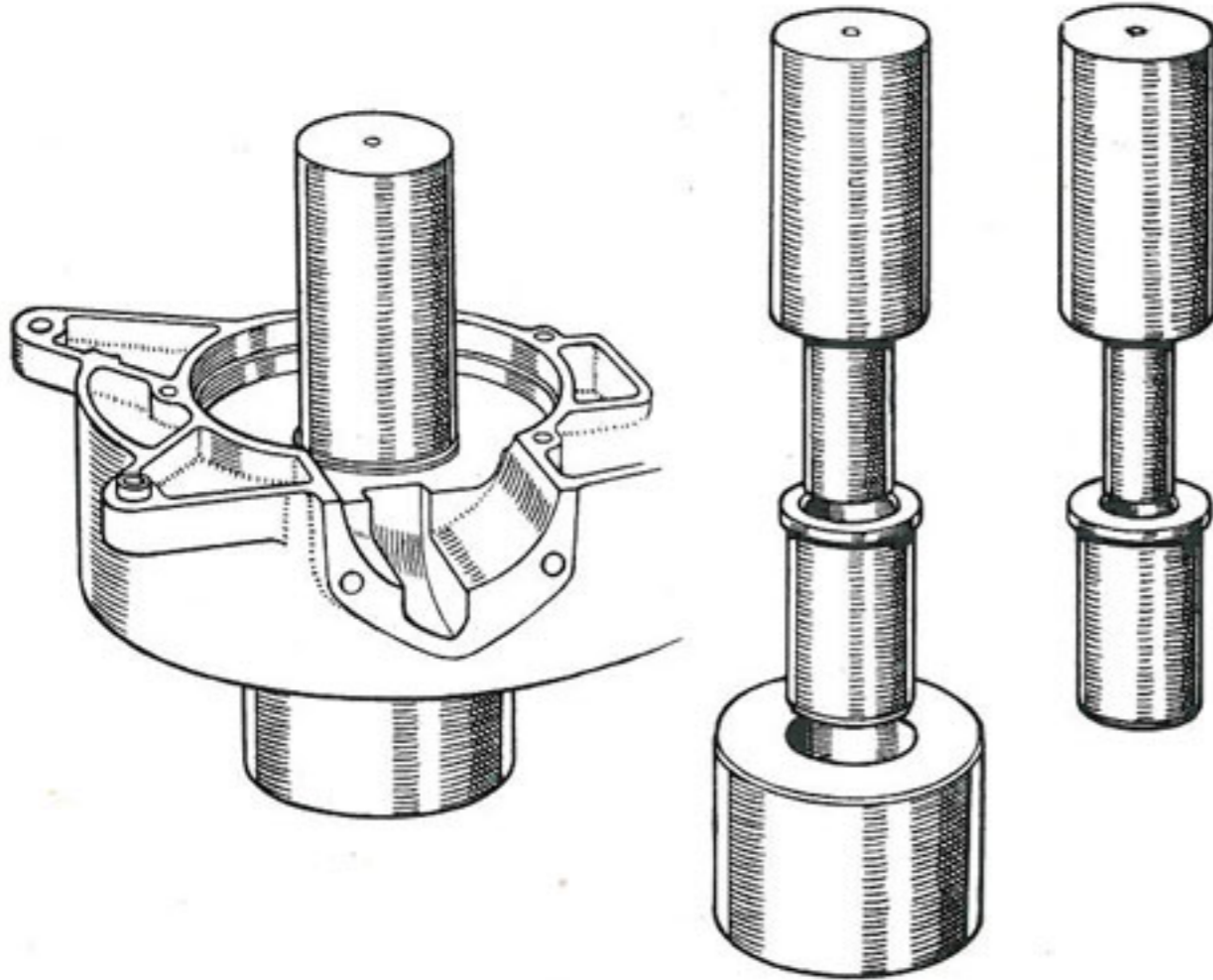


E 4870

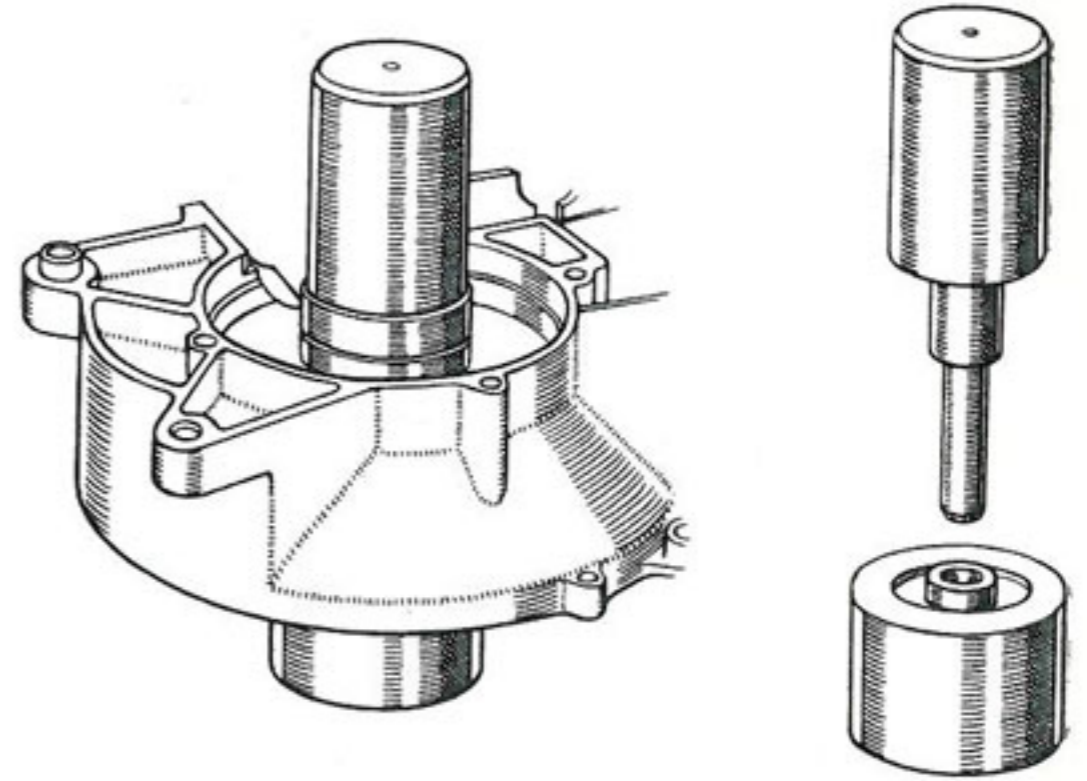
Camshaft Sprocket Extractor

Models: 500 Twin and Meteor 700.

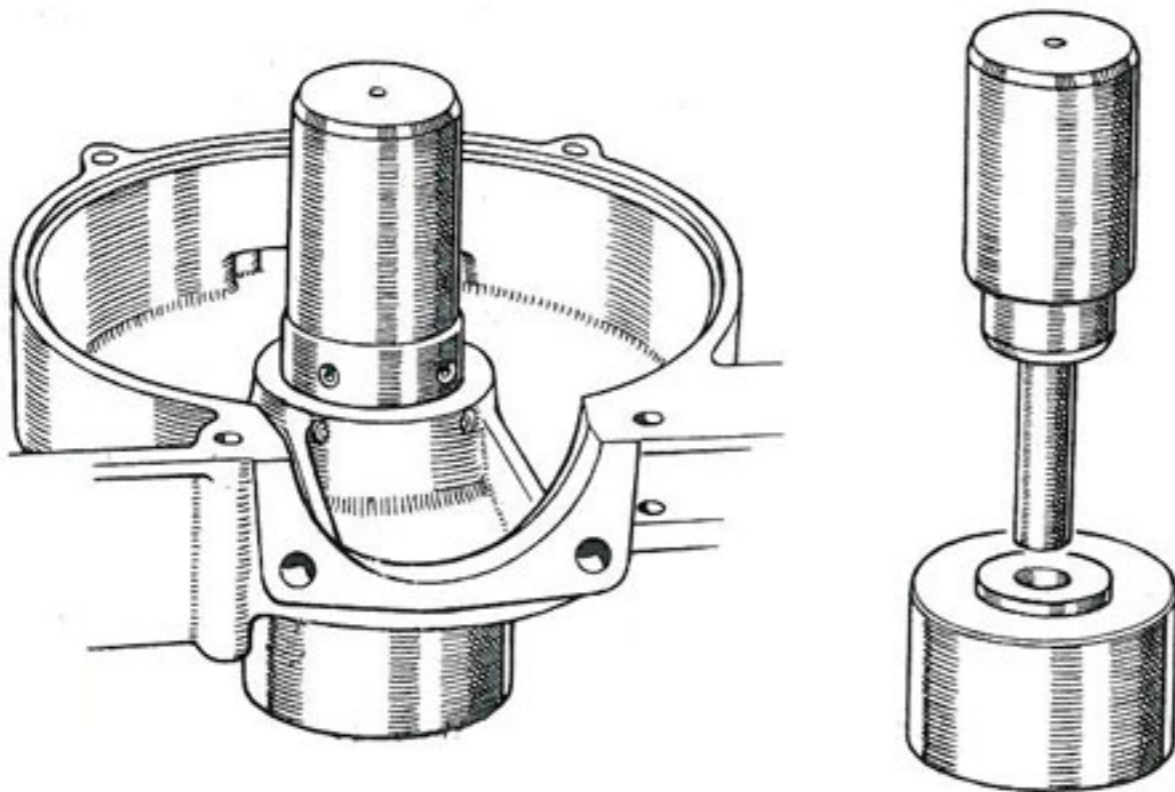
TOOLS FOR FITTING BUSHES



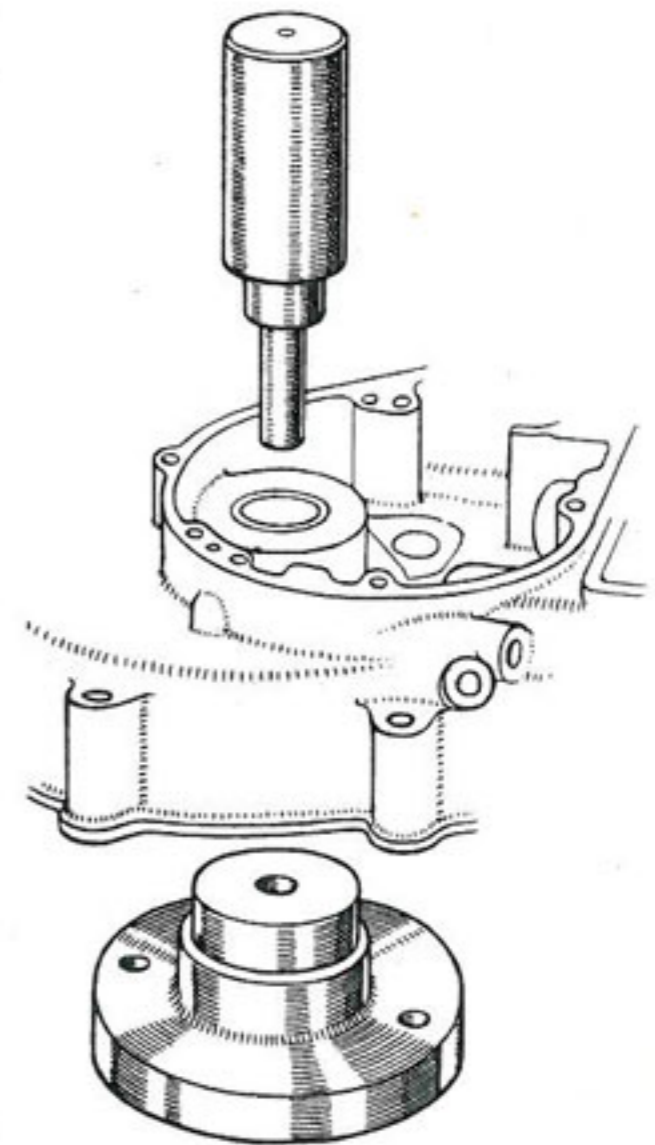
T 1489
Crankshaft Bearing Assembly,
Driving Side
Model : R.E.2.



T 1490
Crankshaft Bearing Assembly,
Timing Side
Model : R.E.2.



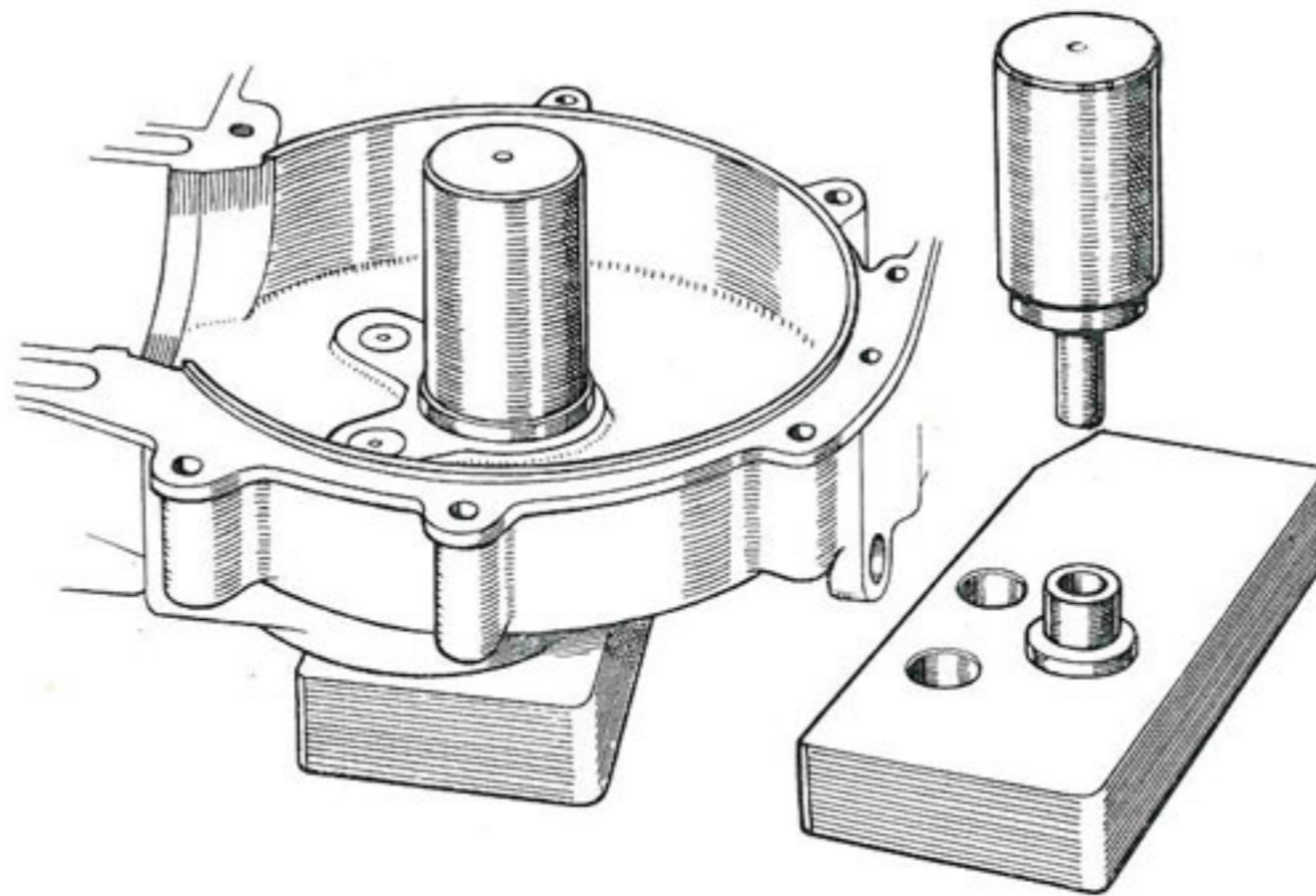
E 5119
Roller Race to Crankcase, Driving
Side
Models : G. and J₂.



E 4815
Timing Side Bush
*Models : G, J₂, 350 Bullet and 500
Bullet.*

ENGINE

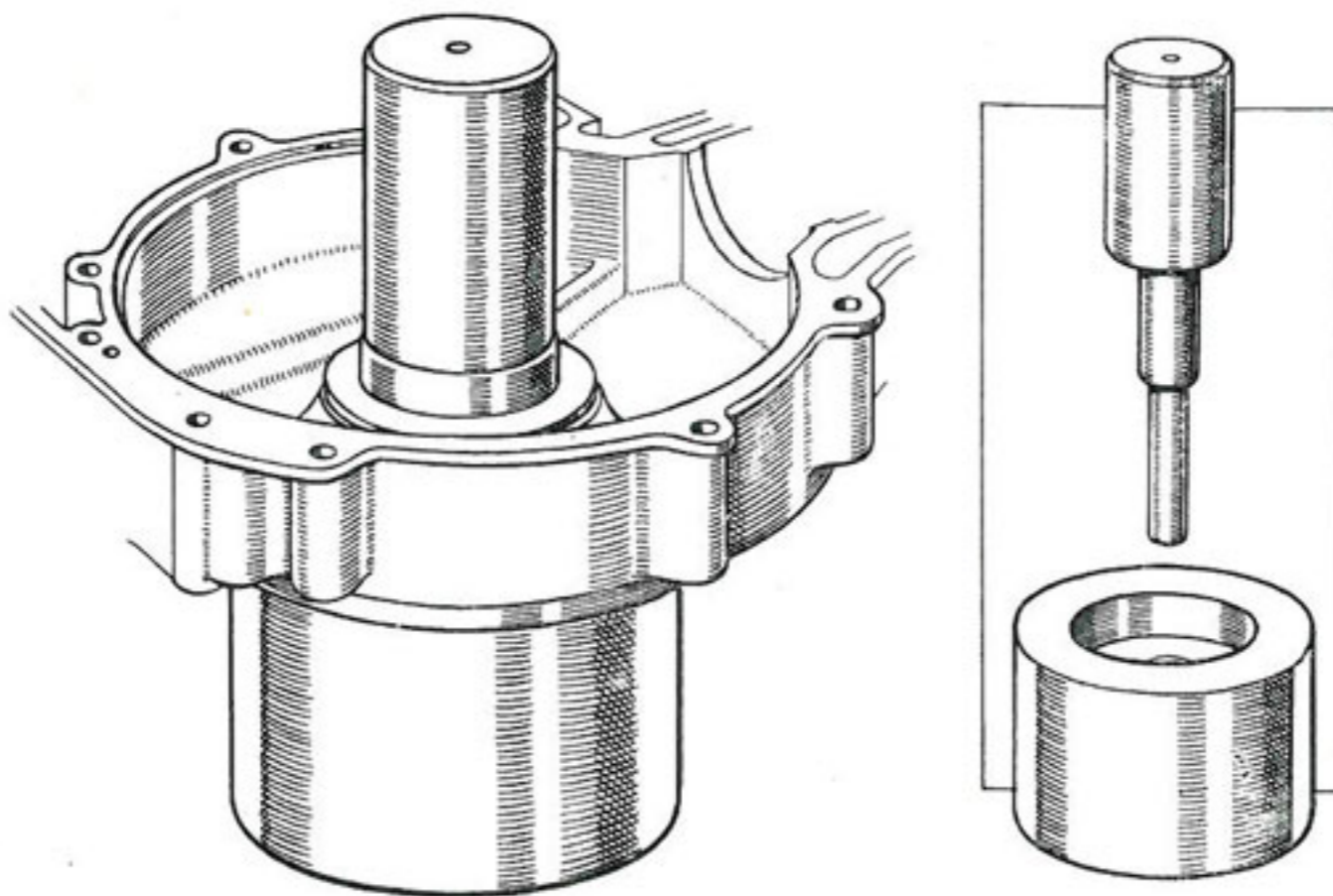
TOOLS FOR FITTING BUSHES



E 4816

Roller Race, Timing Side

Models: G, J₂ and 350 Bullet.



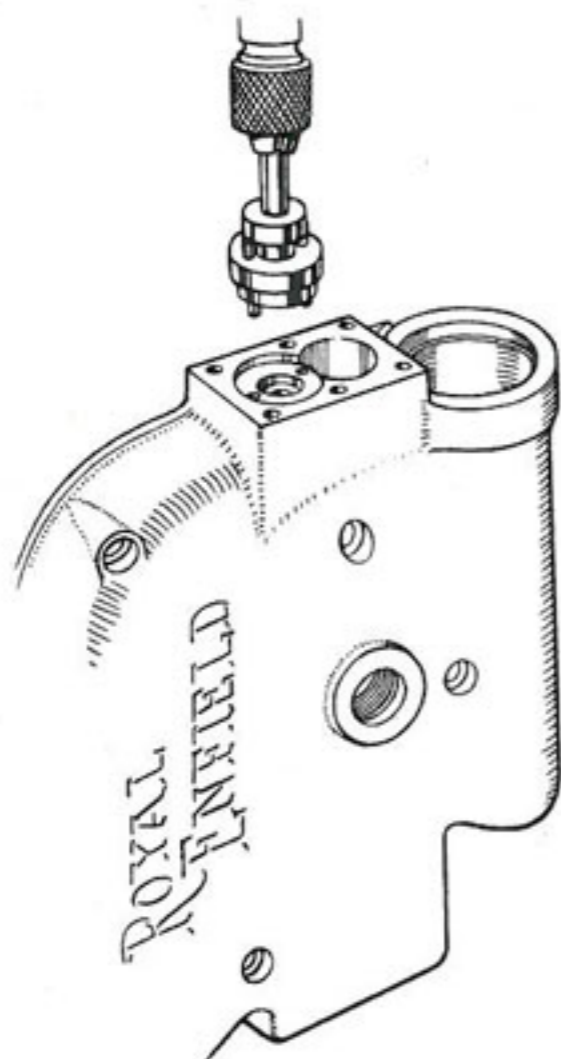
E 4817

Bearing Assembly, Driving Side

Models: 350 Bullet and 500 Bullet.

ENGINE

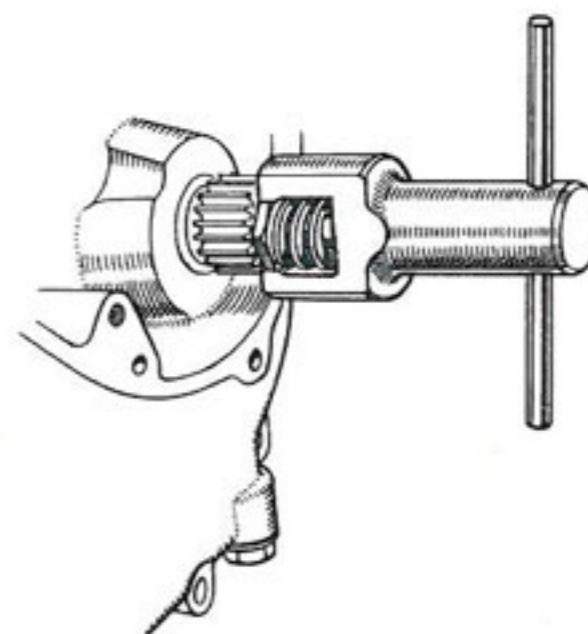
MISCELLANEOUS



E 5425

Pump Disc Lapping Tool

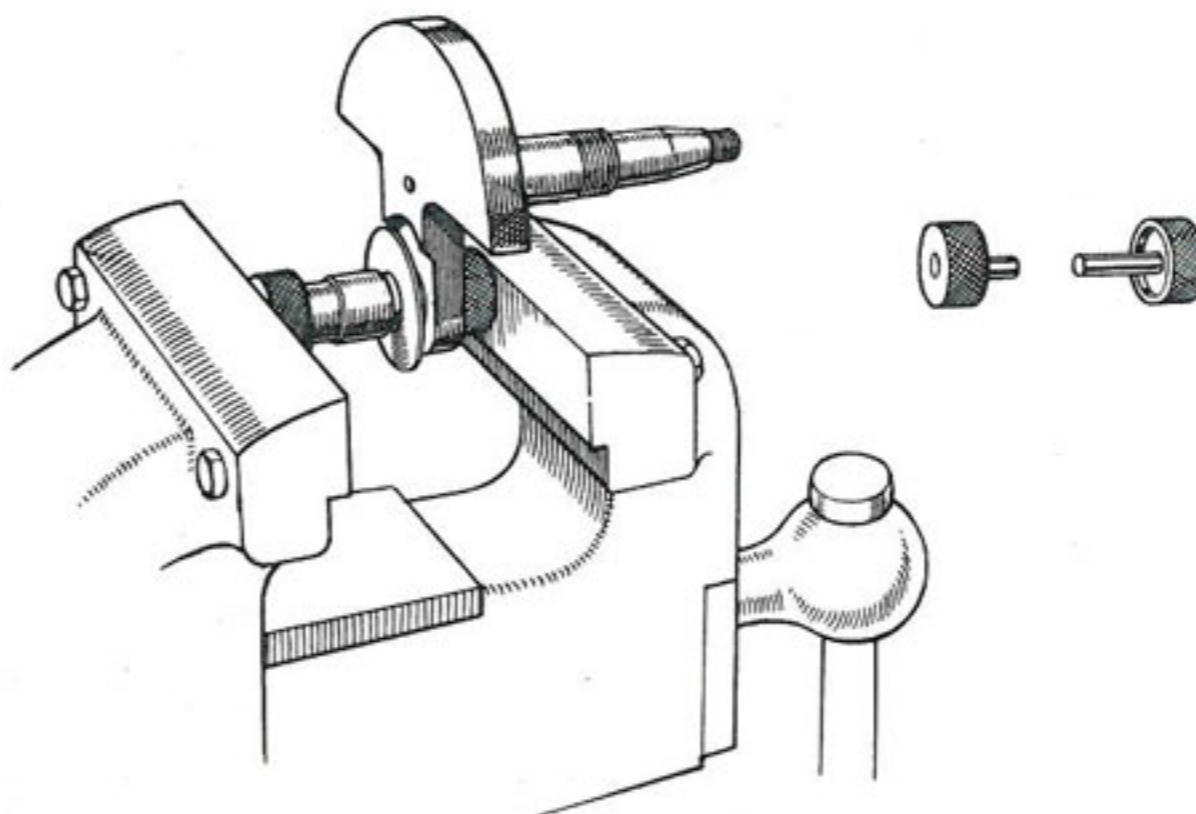
*Models: G, J₂, 350 Bullet, 500 Bullet,
500 Twin and Meteor 700.*



E 5451

Pump Worm Spanner

*Models: G, J₂, 350 Bullet and 500
Bullet.*



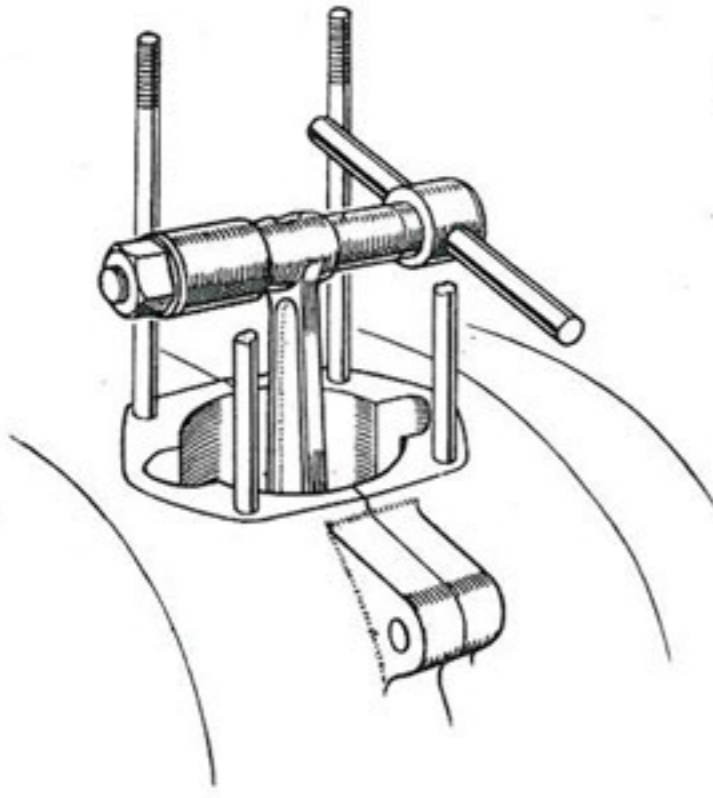
E 5138

Tool for Crankshaft Assembly

Model: R.E.2.

ENGINE

MISCELLANEOUS



E 5415

Extracting and Refitting Small End Bush in Connecting Rod

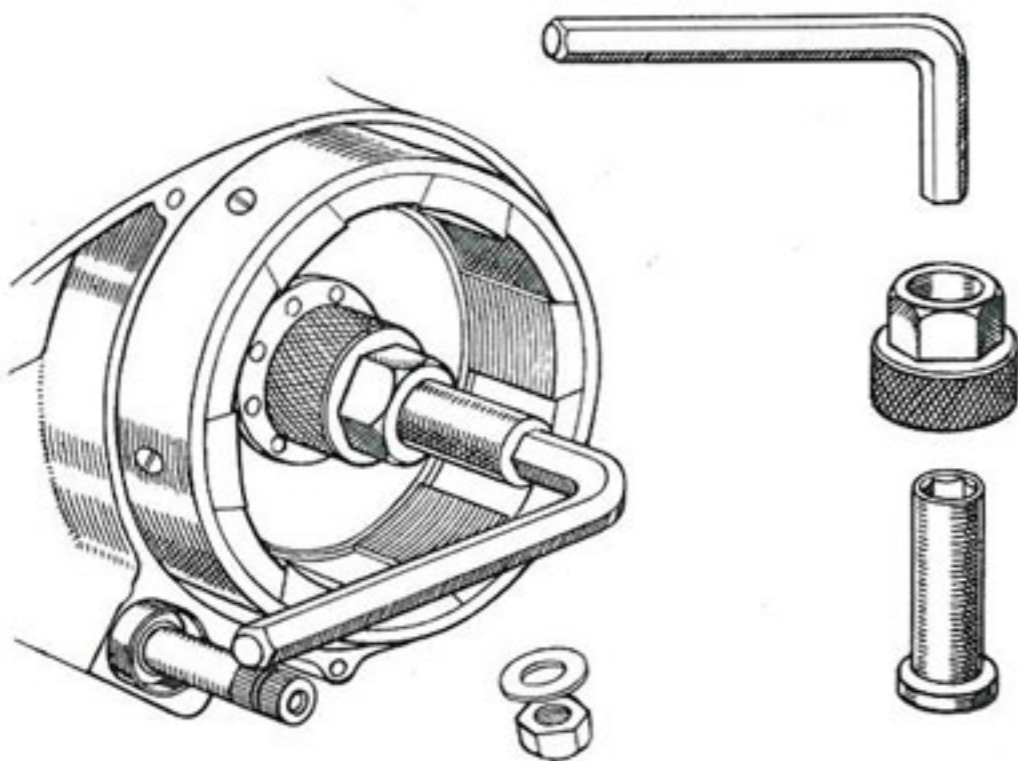
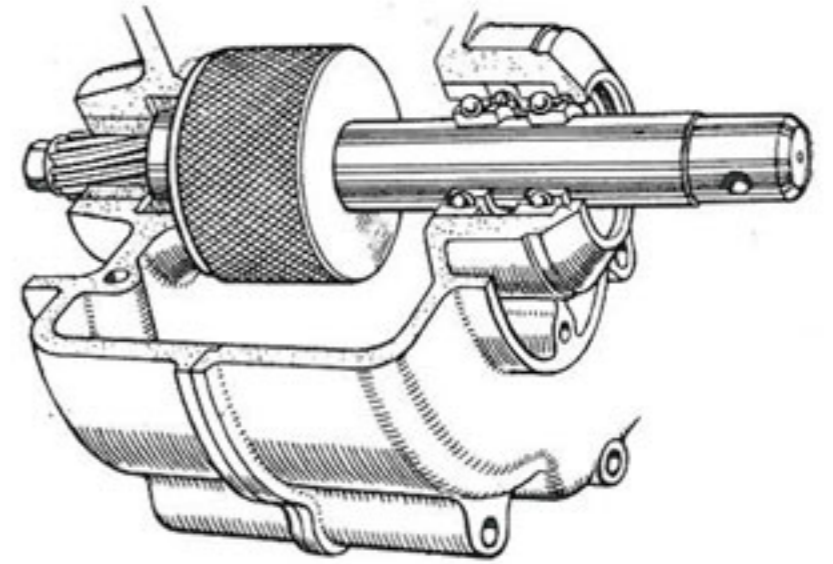
Model: R.E.2.



E 4818

Timing Shaft Bush

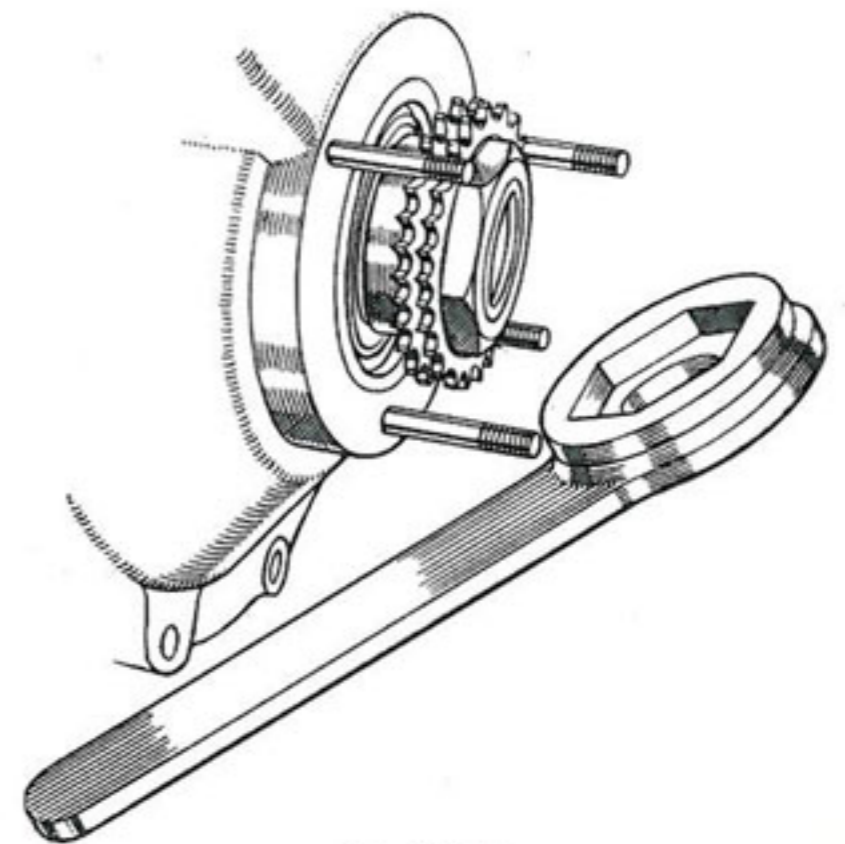
Models: 350 Bullet and 500 Bullet.



ST 56

Magneto Flywheel Extractor

Model: R.E.2.

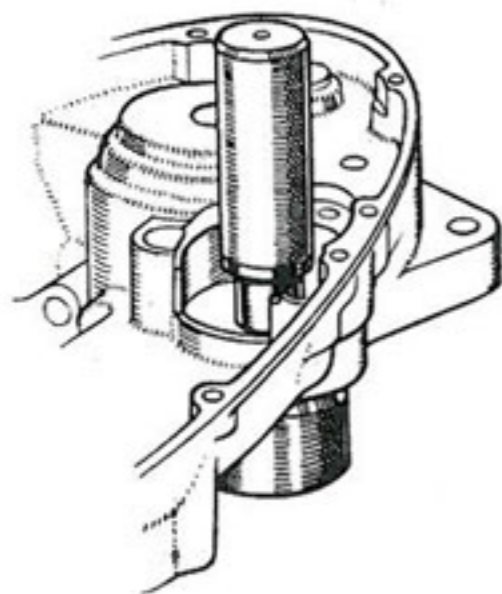


E 4877

Ring Spanner Twin Driving Shaft Nut

Models: 500 Twin and Meteor 700.

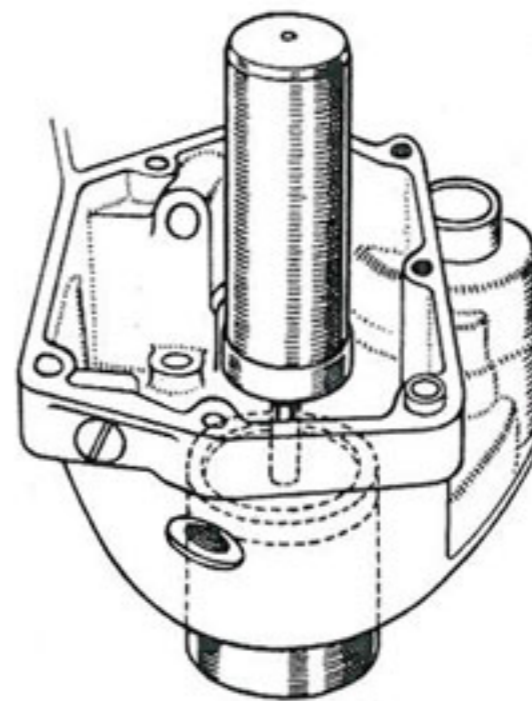
GEARBOX AND CLUTCH



T 1492

Fitting Gear Change Spindle Bush

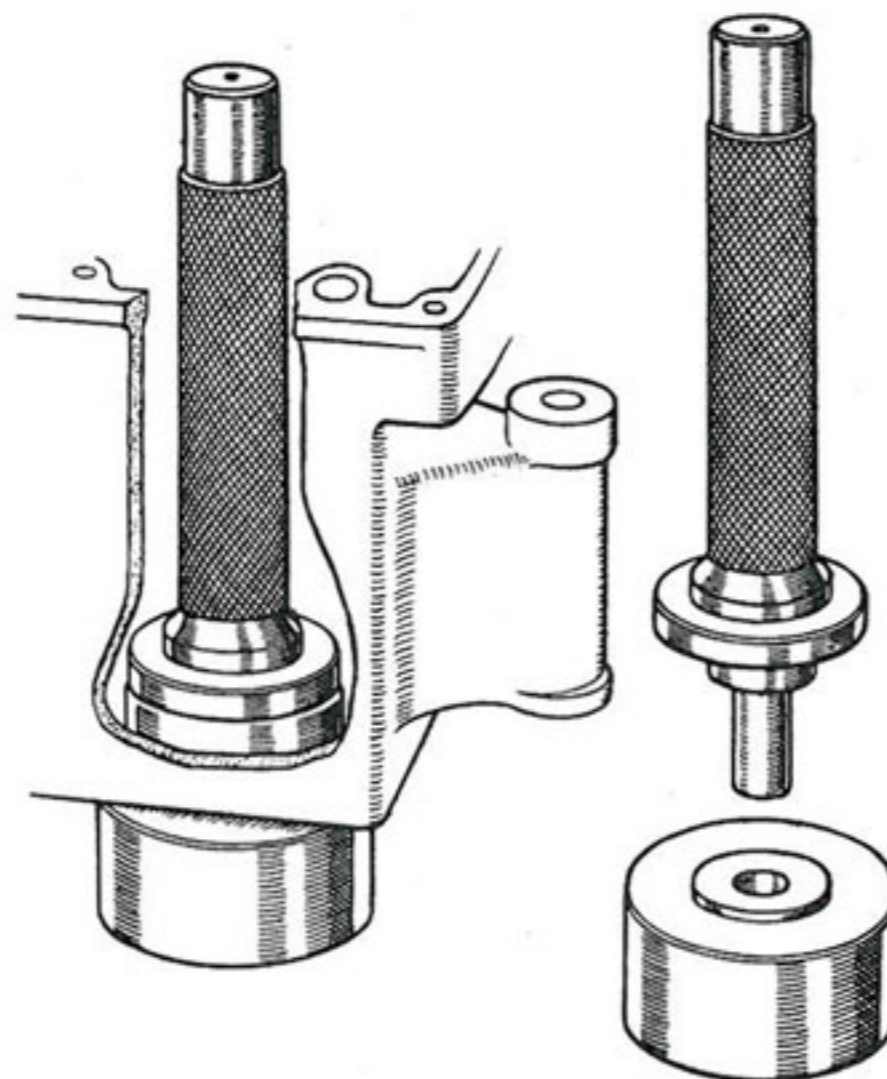
Model: R.E.2.



T 1493

Fitting Gear Mainshaft Bearing

Model: R.E.2.



E 4822

Fitting Gearbox Main Bearing

*Models: G, J₂, 350 Bullet, 500 Bullet,
500 Twin and Meteor 700.*

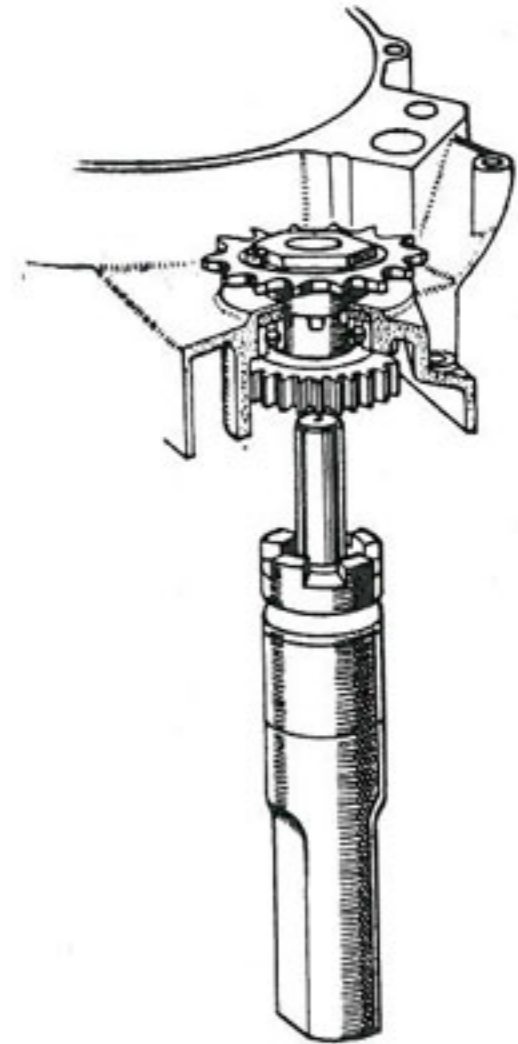
GEARBOX AND CLUTCH



E 4871

Brake Bar for Clutch Centre

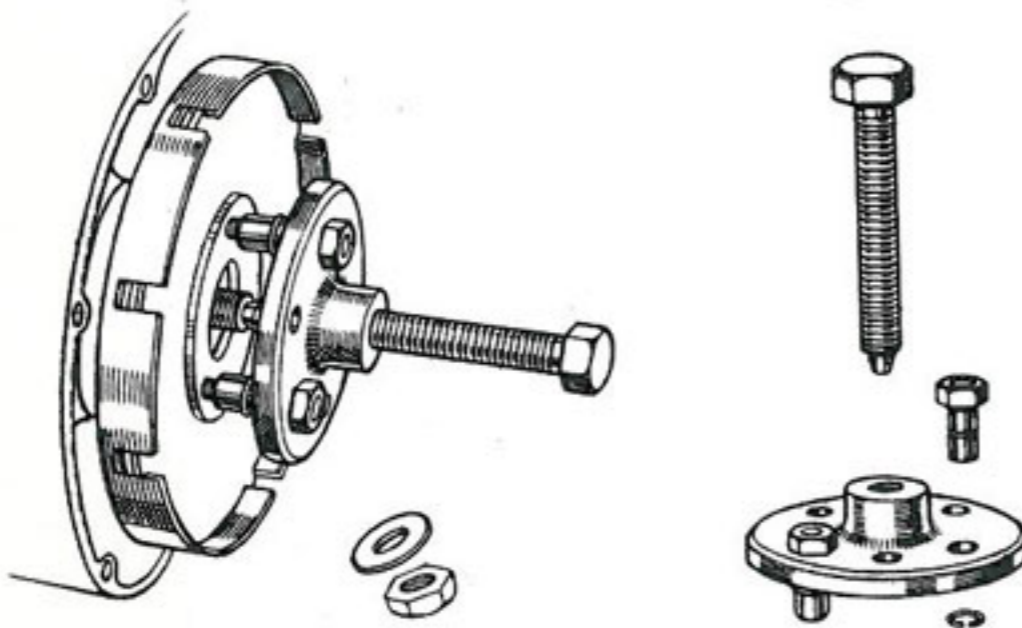
Models: G, J₂, 350 Bullet, 500 Bullet, 500 Twin and Meteor 700.



E 5426

Tool for Holding Mainshaft Pinion

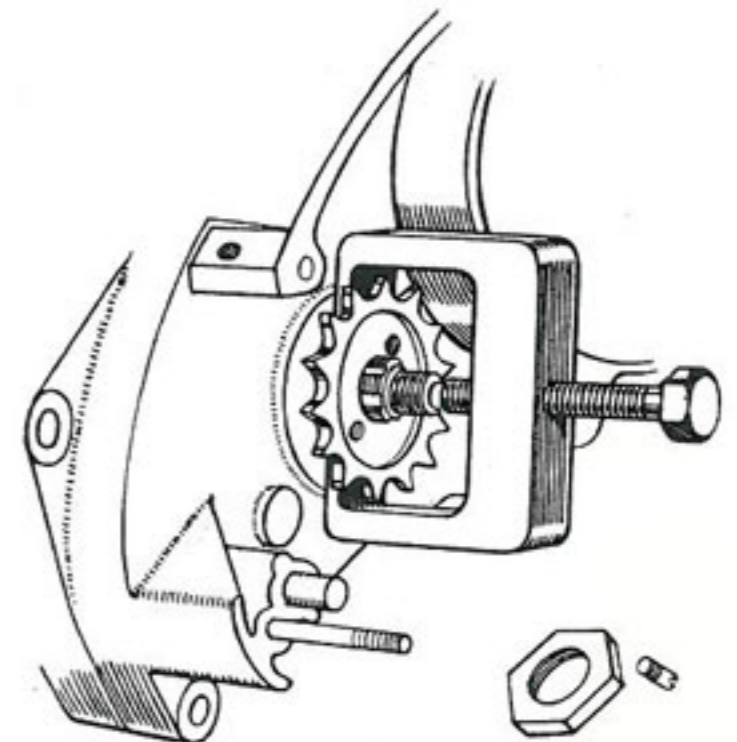
Model: R.E.2.



E 5414

Extractor for Clutch Centre

Models: R.E.2., Ensign, G, J₂, 350 Bullet, 500 Bullet and 500 Twin.



E 5127

Final Drive Sprocket Extractor

Model: R.E.2.

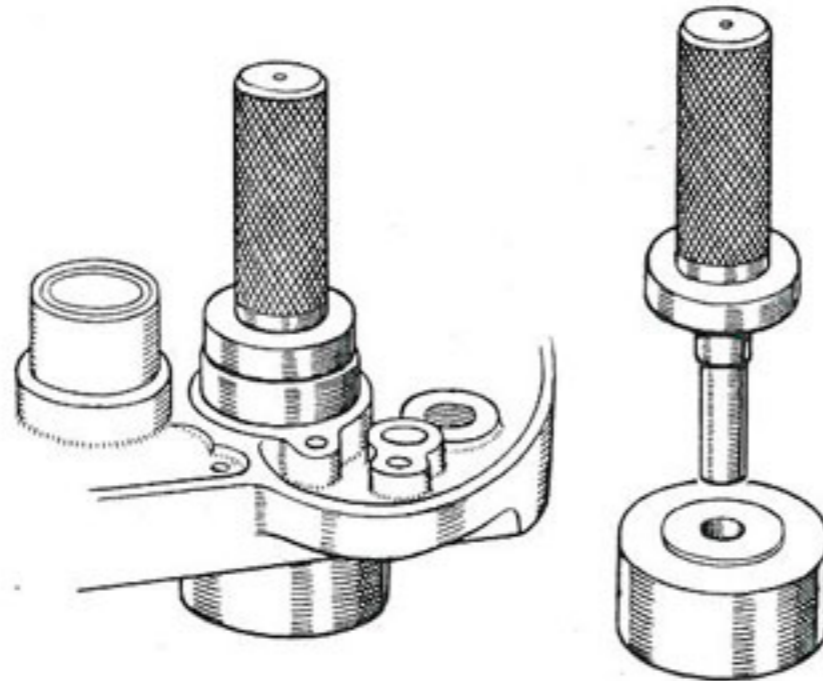
GEARBOX AND CLUTCH



T 1491

Drift for fitting Gearshaft Main Bearing. (To be used with bed of T 1490. See illustration under "Engine", page 3).

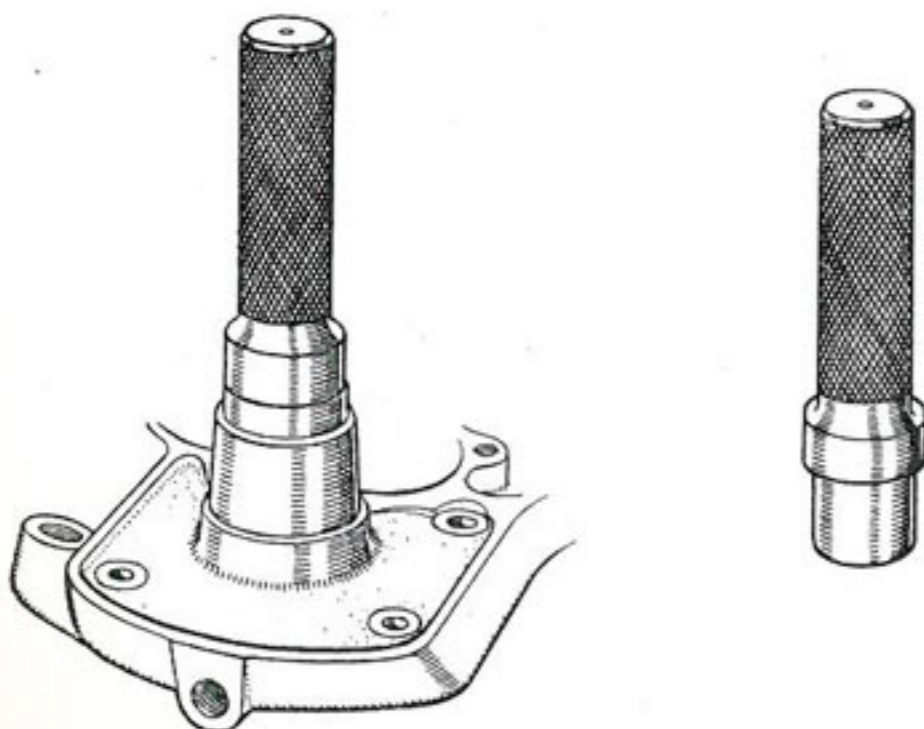
Model : R.E.2.



E 4823

Fitting Gearbox End Cover Bearing

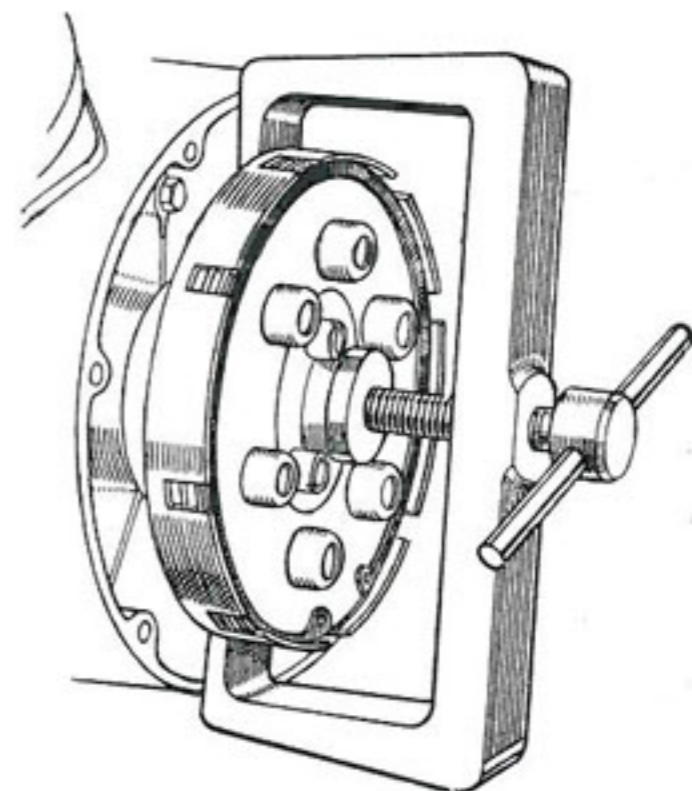
Models : G, J₂, 350 Bullet, 500 Bullet and 500 Twin.



E 4821

Fitting and Removing Kickstart Spindle Bush

Models : G, J₂, 350 Bullet, 500 Bullet, 500 Twin and Meteor 700.

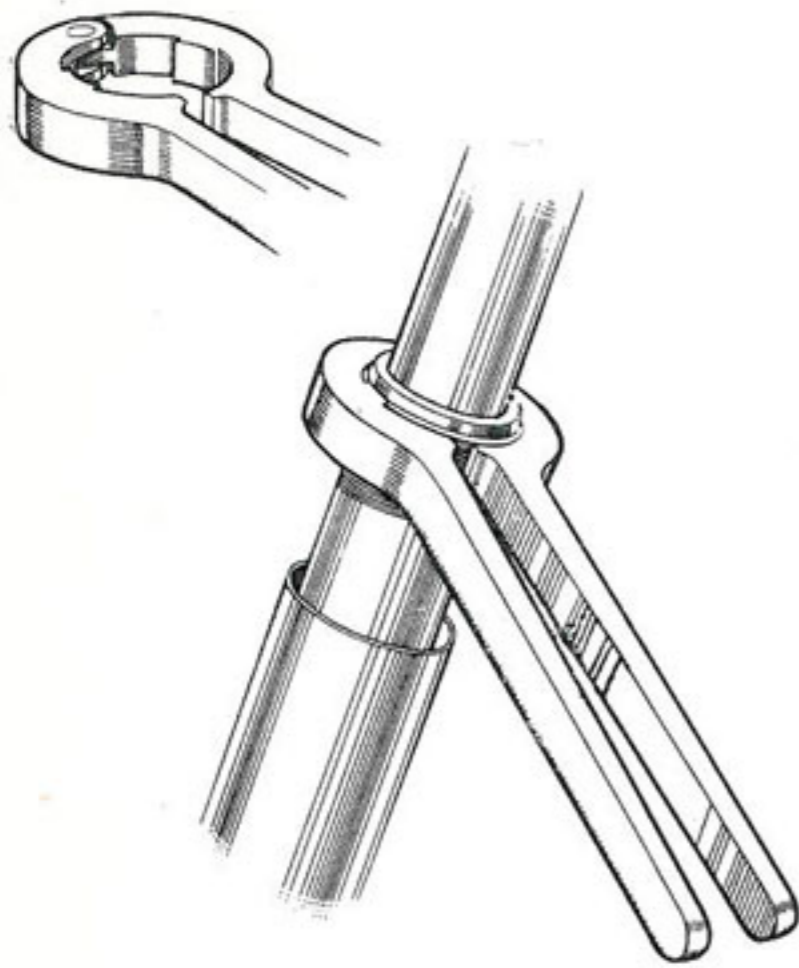


E 4889

Clutch Compression Tool

Model : R.E.2.

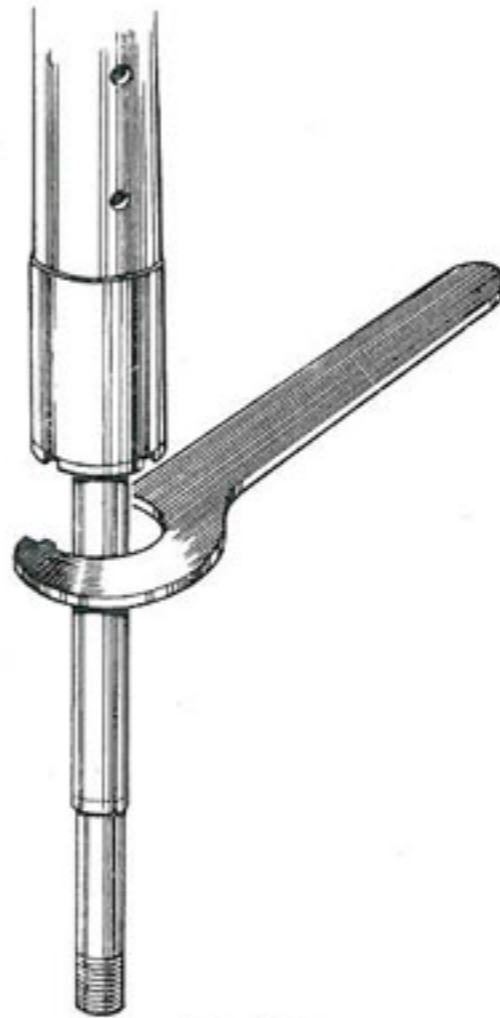
FRAME AND FORK



E 5417

Gland Nut Hand Grips

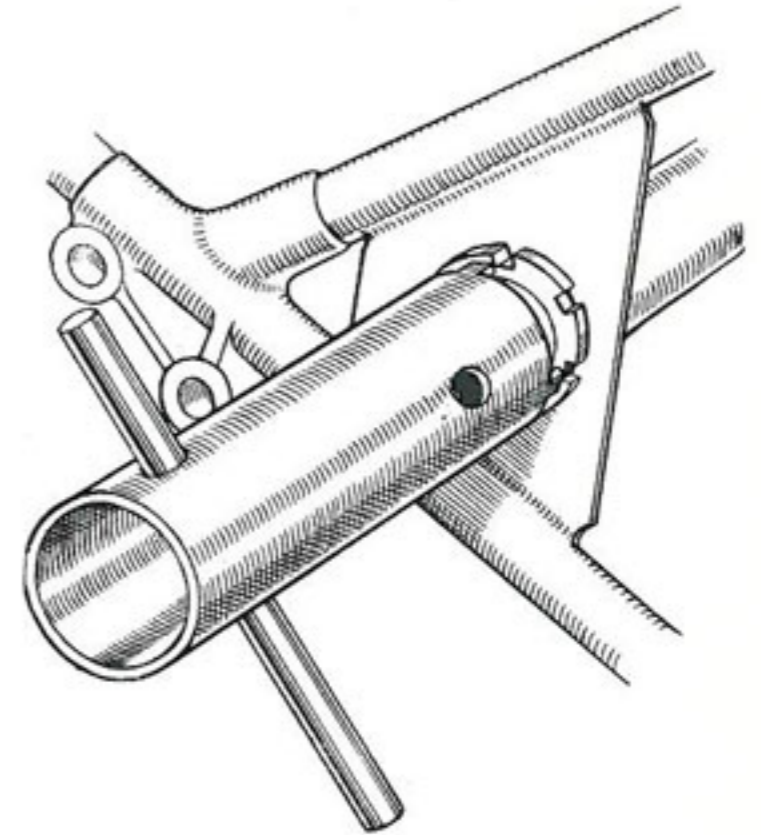
Models: G, J₂, 350 Bullet, 500 Bullet, 500 Twin and Meteor 700.



E 5418

Lockring Spanner

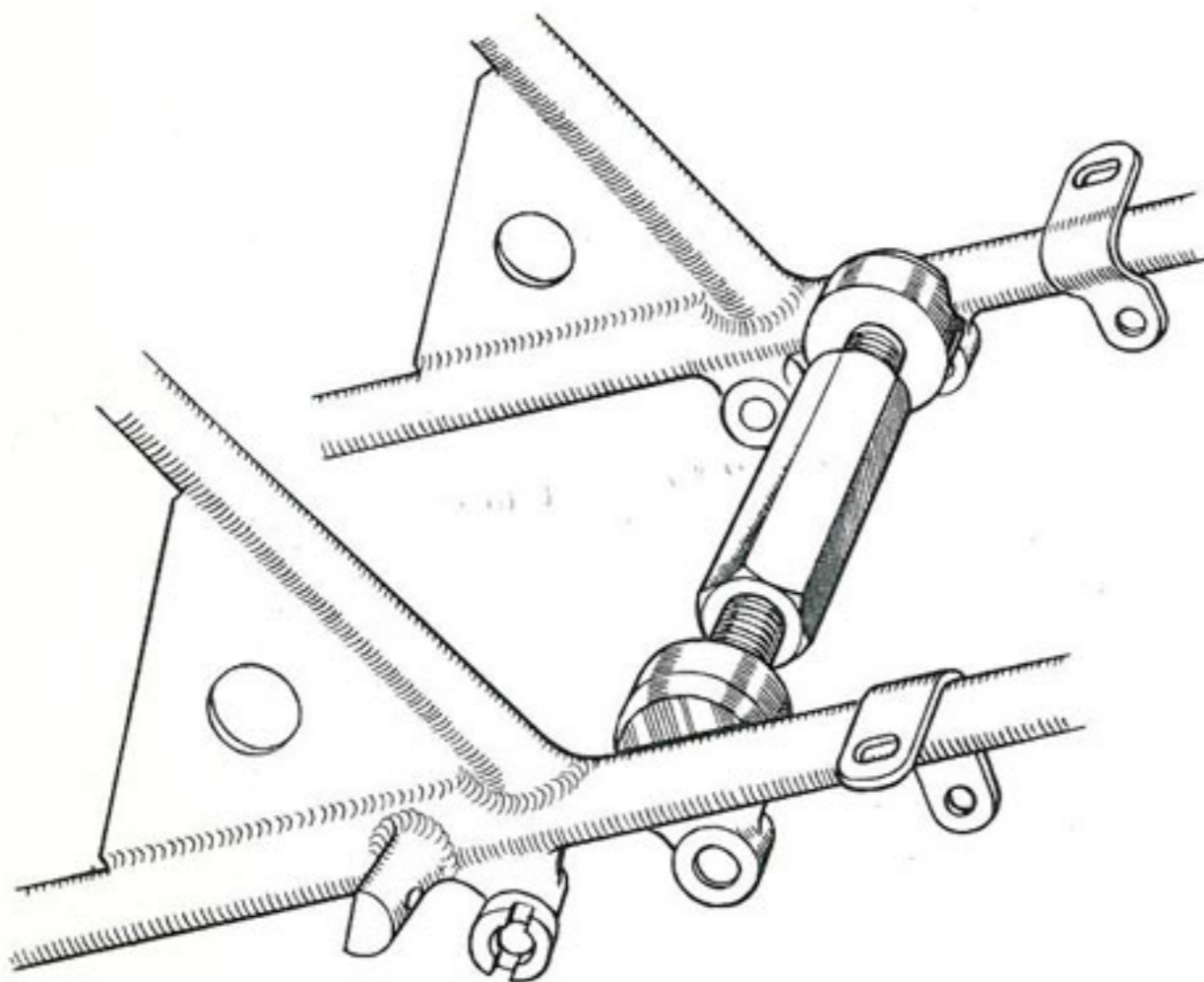
Models: G, J₂, 350 Bullet, 500 Bullet, 500 Twin and Meteor 700.



E 5117

Spring Frame Peg Spanner

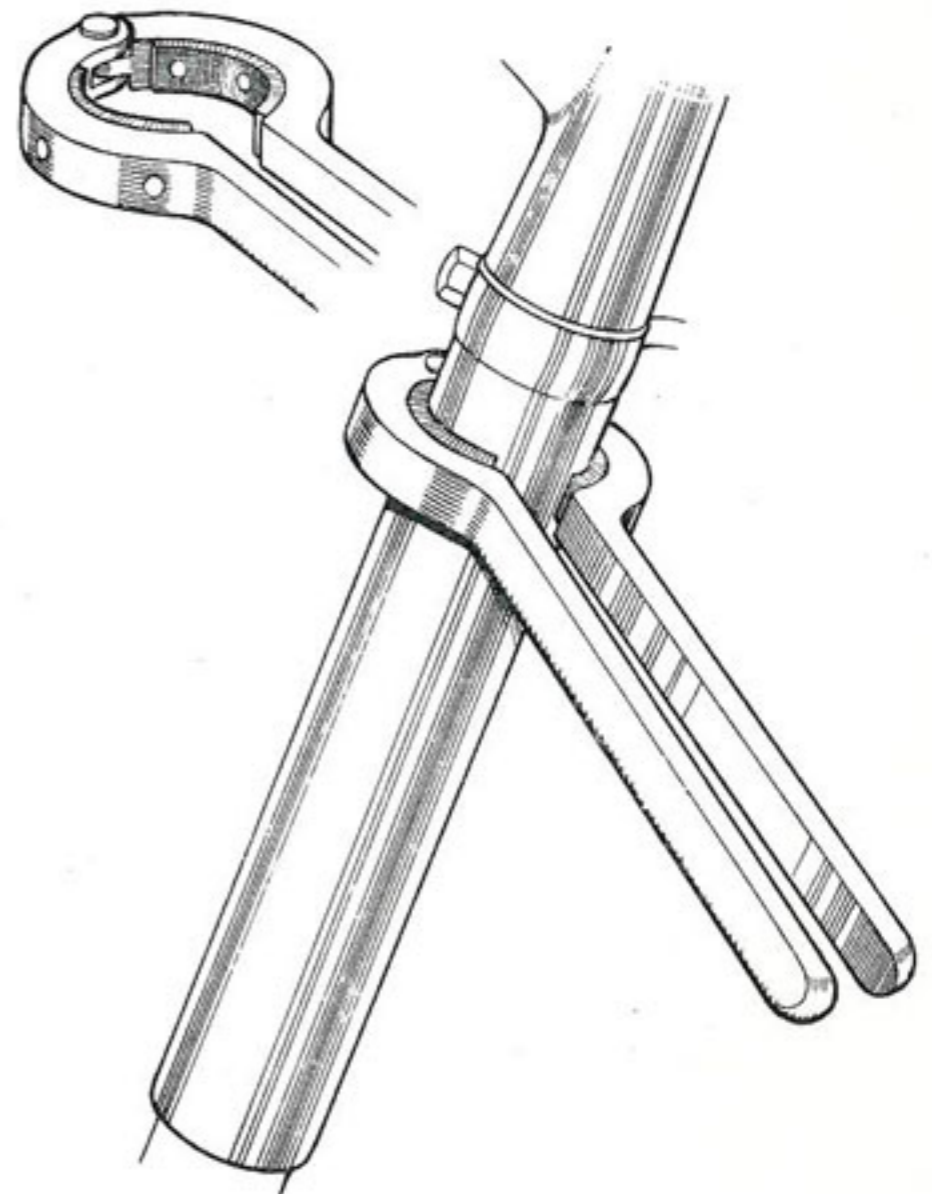
Models: 350 Bullet, 500 Bullet, 500 Twin and Meteor 700.



E 5431

Frame Expander

Models: 350 Bullet, 500 Bullet, 500 Twin and Meteor 700.



E 4912

Outer Tube Hand Grips

Models: G, J₂, 350 Bullet and 500 Twin.

Price List of **Royal Enfield** Service Tools

Part No.	Description							Nett Price.		
		£	s.	d.						
ENGINE.										
E 5410	Tappet Guide Extractor	1	0	0						
E 4814	Engine Sprocket Extractor	1	15	0						
E 4869	Timing Sprocket Extractor	3	0	0						
E 5422	Engine Sprocket Extractor	2	0	0						
E 5124	Magneto Sprocket Extractor	1	10	0						
E 5121	Crankshaft Extractor	1	15	0						
E 4870	Camshaft Sprocket Extractor	1	10	0						
T 1489	Tools for fitting Crankshaft Bearing Assembly, Driving Side	2	0	0						
T 1490	Tools for fitting Crankshaft Bearing Assembly, Timing Side	1	5	0						
E 5119	Tools for fitting Roller Race to Driving Side Crankcase	1	12	6						
E 4815	Tools for fitting Timing Side Bush	1	5	0						
E 4816	Tool for fitting Timing Side Roller Race	5	5	0						
E 4817	Tools for fitting Driving Side Bearing Assembly	2	15	0						
E 5425	Pump Disc Lapping Tool		12	6						
E 5451	Pump Worm Spanner	1	0	0						
E 5138	Tool for Crankshaft Assembly		5	0						
E 5415	Tool for Extracting and Refitting Small End Bush in Connecting Rod	1	0	0						
E 4818	Tools for Reaming Timing Shaft Bush	3	10	0						
ST 56	Magneto Flywheel Extractor	1	10	9						
E 4877	Ring Spanner Twin Driving Shaft Nut	2	0	0						
T 1656	Hand Reamer for Small End Bush		15	0						
GEARBOX AND CLUTCH.										
T 1491	Drift for fitting Gearshaft Main Bearing. (To be used with Bed of T 1490)		15	0						
T 1492	Tool for fitting Gear Change Spindle Bush		15	0						
T 1493	Tool for fitting Gear Mainshaft Bearing		15	0						
E 4823	Tools for fitting Gearbox End Cover Bearing	1	5	0						
E 4821	Tools for fitting and removing Kickstarter Spindle Bush		10	0						
E 4822	Tools for fitting Gearbox Main Bearing	1	17	6						
E 4871	Brake Bar for Clutch Centre		10	0						
E 4889	Clutch Compression Tool	3	0	0						
E 5426	Tool for holding Mainshaft Pinion	1	15	0						
E 5414	Extractor for Clutch Centre		17	6						
E 5127	Final Drive Sprocket Extractor	1	15	0						
FRAME AND FORK.										
E 5417	Hand Grips (Gland Nut)	2	0	0						
E 5418	Lockring Spanner		15	0						
E 5117	Peg Spanner Spring Frame		15	0						
E 5431	Frame Expander	1	15	0						
E 4912	Hand Grips Outer Tube	2	10	0						